

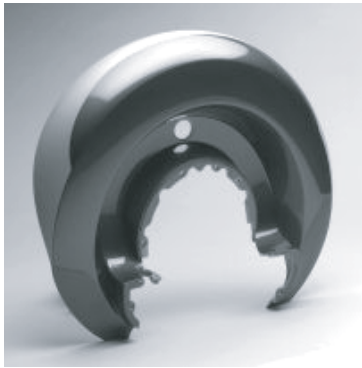


Customer Installable Parts

Fender Kit (slightly irregular)

e Series and i Series Models Only

Kit Number: 17804-00001



Contents

- 1 fender
- 6 fender screws

Specifications

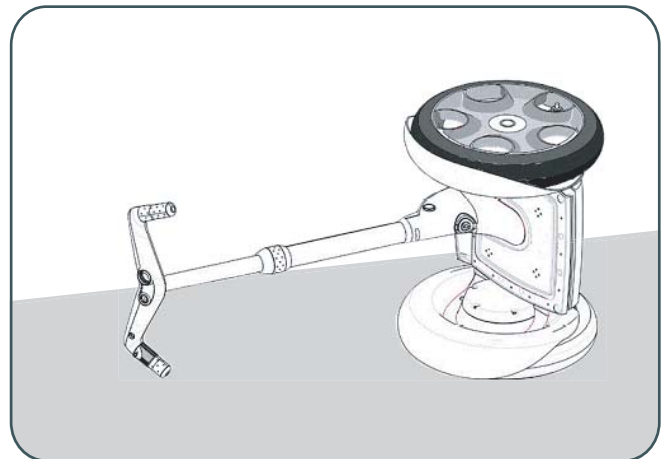
- impact resistant construction
- in-molded tinted film

Tools Required

- 16 mm deep socket wrench with at least 8 inch handle
- T-15 or T-20 Torx wrench (depending on fastener size)
- Rubber mallet

Before you begin:

Tip the Segway HT onto its side so that the fender to be replaced faces up.



Questions?

If you are missing a part, or if you need to return the product please contact Segway Customer Service at 866.4SEGWAY (866.473.4929) or on our website at www.segway.com/support/contact_us.html. Thank you.



WARNING

Always shut down your Segway HT and unplug the charge cord before performing any maintenance or installing any part or accessory. Follow these instructions carefully. Failure to follow these instructions could damage your Segway HT and render it unsafe to use.

> Instructions

Removal Instructions

Step 1

Remove the wheel nut with a 16mm deep socket wrench. Hold the wheel from rotating and turn the wrench counter clockwise. (This may require considerable force.)

Step 2

Strike down on the outside edge of the tire with a rubber mallet to unseat the wheel hub taper. (This may require multiple attempts and considerable force, as the wheel hub is tight to the gearbox taper.)

Step 3

Remove the wheel.

Step 4

Remove the 6 fender screws using appropriate size Torx wrench.

Step 5

Reach behind the fender and disengage the mat loop from the fender opening.

Step 6

Pull up on the front side of the fender and flex the fender away from the gearbox.

Step 7

Remove the fender from the gearbox. (The fender is positioned around the gearbox and requires some twisting for removal.)

Installation Instructions

(Note: Replace any fasteners you remove when performing this installation with the new fasteners included in this kit.)

Step 8

Install the fender making sure to flex it around the gearbox. When seated properly, the fender will be held in place by the gearbox and the 6 screw locations will align with the screw locations in the chassis and gearbox.

Step 9

Thread in the 6 new fender screws and torque to 1.5 N-m (do not over tighten).

Note: There is one hole in the fender that does not line up with a threaded hole in the gearbox. Do not install a screw here.

Step 10

Wipe clean the gearbox taper and the wheel taper.

Step 11

Place the wheel hub opening over the gearbox shaft; rotate the wheel while pressing down until the wheel seats.

Step 12

Thread on the wheel nut and torque to 50 N-m.

Step 13

Tip your Segway HT up onto its wheels and secure the mat loop into the fender hole.

